

CUSTOM FIT SPEAKER

KFC-HQR465C

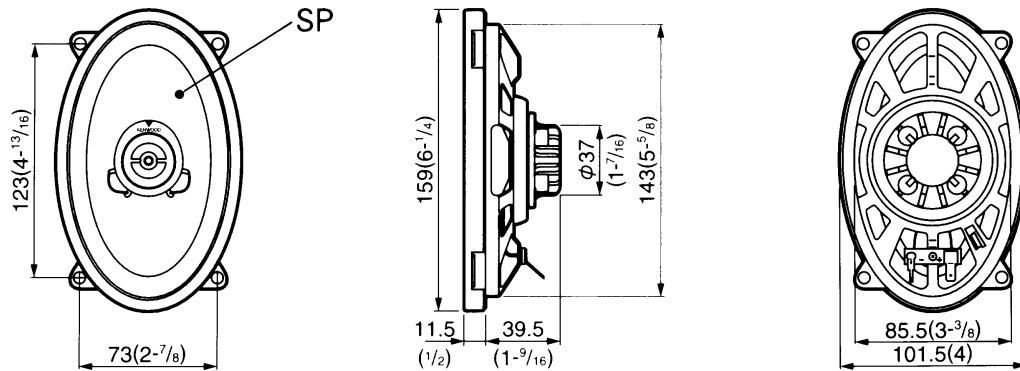
SERVICE MANUAL

KENWOOD

OVERSEAS

©1996-12 PRINTED IN JAPAN
B51-7114-00 (MC) 919

EXTERNAL VIEW



Unit: mm(inch)

PARTS LIST

★ New Parts

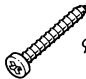


Parts without **Parts No.** are not supplied.

Les articles non mentionnes dans le **Parts No.** ne sont pas fournis.

Teile ohne **Parts No.** werden nicht geliefert.

Ref No.	New Parts	Parts No.	Description
①,②	★	N99-1373-08	Screw set
③		E30-5292-08	Speaker cord
SP	★	T15-0348-08	Speaker

PARTS INCLUDED

- ①  $\phi 4 \times 20$ × 8
- ②  × 8
- ③  4.5m(15ft) × 2

SPECIFICATIONS

Speakers

Woofer 100 × 160 mm (4 × 6 in) Pearl Mica Cone Type
8 × 2 g (0.29 × 2 oz) Magnet

Tweeter 25 mm (1 in) P.P.T.A. Balanced Dome Type

Peak Power 90 Watts

Frequency Response ... 40 Hz ~30,000 Hz

Sensitivity 90 dB / W at 1 m

Impedance 4 Ohms

Net Weight 390 g (0.9 lb) / Pair

Note:

We follows a policy of continuous advancements in development.
For this reason specifications may be changed without notice.